

FACTSHEET

Mestiza Dining Chair

MATERIALS

IRON / Used in solid rod form or tube, hand-welded. Finished with Zinc primer and powder coated. Now introducing a double coat to enhance durability and performance.

una doble capa para aumentar la durabilidad y rendimiento.

FABRIC CORD / Synthetic nylon cord, highly weather resistant, rain or shine. Stays soft to the touch while providing great support.

PALM FIBER / The palm fiber we use at Mexa is specially harvested from the Mexican pacific coastline. This rope is specially threaded by twisting and interlocking the largest leaves while applying a certain amount of moisture. This material gives our pieces a very warm look and feel. **Please note: our natural palm fiber is an indoor material.**

SYNTHETIC PALM FIBER / is made out of polyethylene raw material, which was specially developed for furniture use and it stands really well in the elements. Its variety of brown tones make it look and feel like natural fiber, but with the capacity to be used in the outdoors.

Resistant to humidity and sunlight

Color Powder Coating

Indoor and outdoor use



Negro

Niebla

Teja

Fabric Cord

Indoor use 7 mm



Negro

Natural Palm

Indoor use



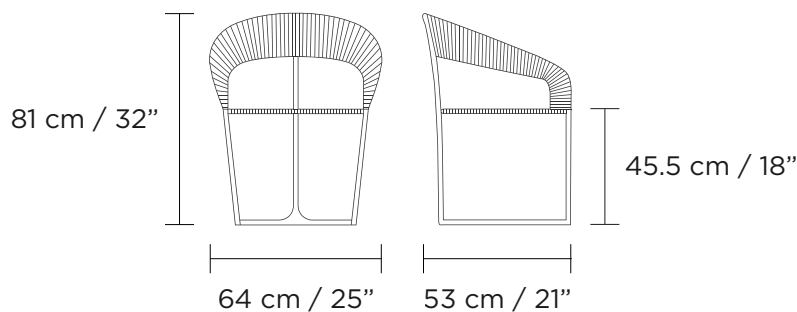
Synthetic Palm

Indoor and outdoor use



DIMENSIONS

8.5 kg / 18.5 lb



*The finished product may vary from the one on the image, depending on the combinations of materials and colors.

FACTSHEET

Mestiza Bistro Table

MATERIALS

IRON / Used in solid rod form or tube, hand-welded. Finished with Zinc primer and powder coated. Now introducing a double coat to enhance durability and performance.

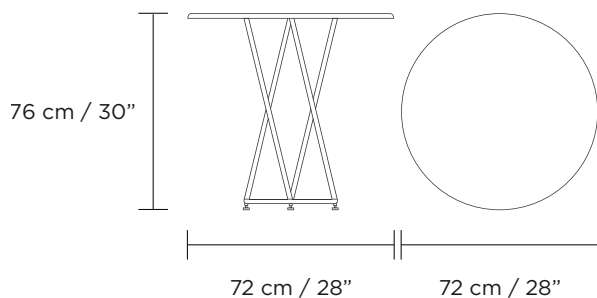
Color Powder Coating

Indoor and outdoor use



DIMENSIONS

12.5 kg / 28 lb



*The finished product may vary from the one on the image, depending on the combinations of materials and colors.

FACTSHEET

Mestiza Dining Table

MATERIALS

IRON / Used in solid rod form or tube, hand-welded. Finished with Zinc primer and powder coated. Now introducing a double coat to enhance durability and performance.

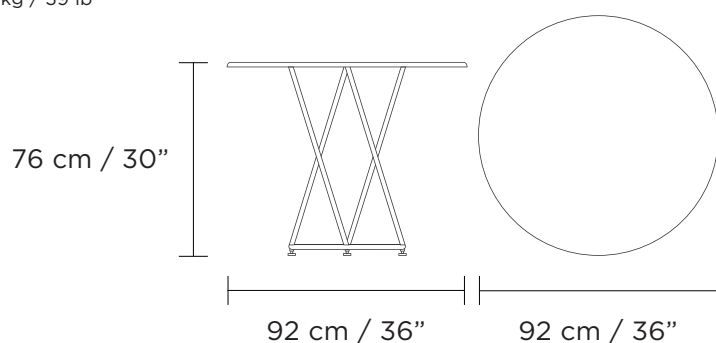
Color Powder Coating

Indoor and outdoor use



DIMENSIONS

18 kg / 39 lb



*The finished product may vary from the one on the image, depending on the combinations of materials and colors.