

FACTSHEET

Porset Silla Dining Chair

MATERIALS

IRON / Used in solid rod form or tube, hand-welded. Finished with Zinc primer and powder coated. Now introducing a double coat to enhance durability and performance.

WICKER / Traditionally made of plant origin, we use rattan fiber. Wicker is light, yet sturdy, making it suitable for furniture items. The weaving technique applied at Mexa gives our furniture a beautiful handcrafted look. While we seal it with special water based lacquer, this fiber is intended for indoor use only.

SYNTHETIC PALM FIBER / is made out of polyethylene raw material, which was specially developed for furniture use and it stands really well in the elements. Its variety of brown tones make it look and feel like natural fiber, but with the capacity to be used in the outdoors.

Resistant to humidity and sunlight

FABRIC CORD / Synthetic nylon cord, highly weather resistant, rain or shine. Stays soft to the touch while providing great support.

Color Powder Coating

Indoor and outdoor use



Negro

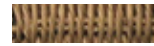
Wicker

Indoor use



Synthetic Palm

Indoor and outdoor use



Fabric Cord

Indoor and outdoor use 7mm



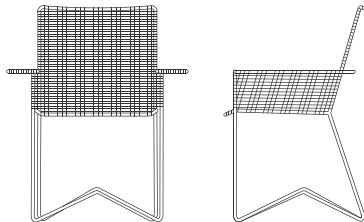
Negro



Cactus

DIMENSIONS

H 89cm / 35"
L 60cm / 23.5"
W 75.2cm / 29.5"
12.8 kg / 28.2 lb



*The finished product may vary from the one on the image, depending on the combinations of materials and colors.

FACTSHEET

Porset Silla Alta Lounge Chair

MATERIALS

IRON / Used in solid rod form or tube, hand-welded. Finished with Zinc primer and powder coated. Now introducing a double coat to enhance durability and performance.

WICKER / Traditionally made of plant origin, we use rattan fiber. Wicker is light, yet sturdy, making it suitable for furniture items. The weaving technique applied at Mexa gives our furniture a beautiful handcrafted look. While we seal it with special water based lacquer, this fiber is intended for indoor use only.

SYNTHETIC PALM FIBER / is made out of polyethylene raw material, which was specially developed for furniture use and it stands really well in the elements. Its variety of brown tones make it look and feel like natural fiber, but with the capacity to be used in the outdoors.

Resistant to humidity and sunlight

FABRIC CORD / Synthetic nylon cord, highly weather resistant, rain or shine. Stays soft to the touch while providing great support.

Color Powder Coating

Indoor and outdoor use



Negro

Wicker

Indoor use



Synthetic Palm

Indoor and outdoor use



Fabric Cord

Indoor and outdoor use 7mm



Negro



Cactus

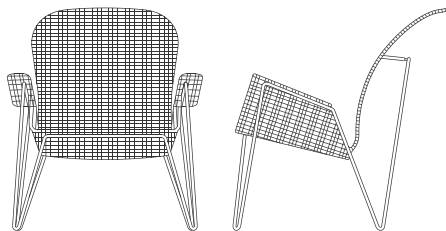
DIMENSIONS

H 93cm / 36.5"

L 91.5cm / 36"

W 82.5cm / 32.5"

15.1 kg / 33.3 lb



*The finished product may vary from the one on the image, depending on the combinations of materials and colors.

FACTSHEET

Porset Sillón Lounge Chair

MATERIALS

IRON / Used in solid rod form or tube, hand-welded. Finished with Zinc primer and powder coated. Now introducing a double coat to enhance durability and performance.

WICKER / Traditionally made of plant origin, we use rattan fiber. Wicker is light, yet sturdy, making it suitable for furniture items. The weaving technique applied at Mexa gives our furniture a beautiful handcrafted look. While we seal it with special water based lacquer, this fiber is intended for indoor use only.

SYNTHETIC PALM FIBER / is made out of polyethylene raw material, which was specially developed for furniture use and it stands really well in the elements. Its variety of brown tones make it look and feel like natural fiber, but with the capacity to be used in the outdoors.

Resistant to humidity and sunlight

FABRIC CORD / Synthetic nylon cord, highly weather resistant, rain or shine. Stays soft to the touch while providing great support.

Color Powder Coating

Indoor and outdoor use



Negro

Wicker

Indoor use



Synthetic Palm

Indoor and outdoor use



Fabric Cord

Indoor and outdoor use 7mm



Negro



Cactus

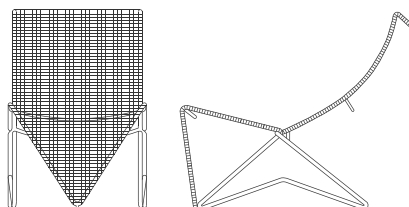
DIMENSIONS

H 80cm / 31.5"

L 94.6cm / 37"

W 52.5cm / 20.5"

17.2 kg / 37.9 lb



*The finished product may vary from the one on the image, depending on the combinations of materials and colors.

FACTSHEET

Porset Camastro Chaise Lounge

MATERIALS

IRON / Used in solid rod form or tube, hand-welded. Finished with Zinc primer and powder coated. Now introducing a double coat to enhance durability and performance.

WICKER / Traditionally made of plant origin, we use rattan fiber. Wicker is light, yet sturdy, making it suitable for furniture items. The weaving technique applied at Mexa gives our furniture a beautiful handcrafted look. While we seal it with special water based lacquer, this fiber is intended for indoor use only.

SYNTHETIC PALM FIBER / is made out of polyethylene raw material, which was specially developed for furniture use and it stands really well in the elements. Its variety of brown tones make it look and feel like natural fiber, but with the capacity to be used in the outdoors.

Resistant to humidity and sunlight

FABRIC CORD / Synthetic nylon cord, highly weather resistant, rain or shine. Stays soft to the touch while providing great support.

Color Powder Coating

Indoor and outdoor use



Negro

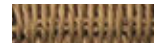
Wicker

Indoor use



Synthetic Palm

Indoor and outdoor use



Fabric Cord

Indoor and outdoor use 7mm



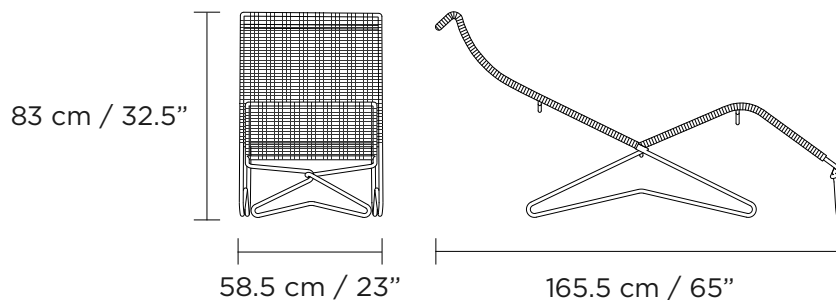
Negro



Cactus

DIMENSIONS

14 kg / 31 lb



*The finished product may vary from the one on the image, depending on the combinations of materials and colors.